

Model: NEMA52 Stepper motor-SM130H3P (1.2degree)-3phase



General Specification:

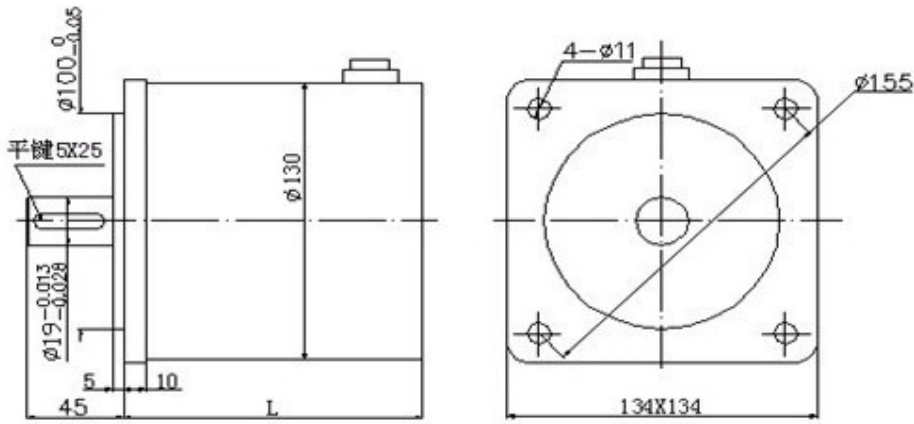
Step Accuracy ----- $\pm 5\%$
 Resistance Accuracy ----- $\pm 10\%$
 Inductance Accuracy ----- $\pm 20\%$
 Temperature Rise ----- 80°C MAX.
 Ambient Temperature Range ----- -20°C~ +50°C
 Storage Temperature Range ----- -30°C~ +60°C
 Insulation Resistance ----- 100M Ω MIN. 500V DC
 Dielectric Strength ----- 1800VAC for 1S 5mA
 Radial Play ----- 0.02mm MAX. (450g Load)
 End Play ----- 0.08mm MAX. (450g Load)
 Max. radial force ----- 220N
 Max. axial force ----- 60N

Electrical Specification:

Model No.	Step Angle	Motor Length	Current /Phase	Resistance /Phase	Inductance /Phase	Voltage	Holding Torque	Motor Weight
	(°)	(L)mm	A	Ω	mH	V	N.m	Kg
SM130H3P-5026	1.2	170	5.0	0.80	4.10	80-325	26	13
SM130H3P-5036	1.2	225	5.0	1.30	13.1	80-325	36	18
SM130H3P-5050	1.2	280	5.0	1.60	17.5	80-325	50	22

***Note:** We can also manufacture products according to customer's requirements.

Dimensions:
(Unit=mm)



Wiring Diagram:

