

## Model: NEMA52 Stepper motor-SM130HS (1.8degree)



### General Specification:

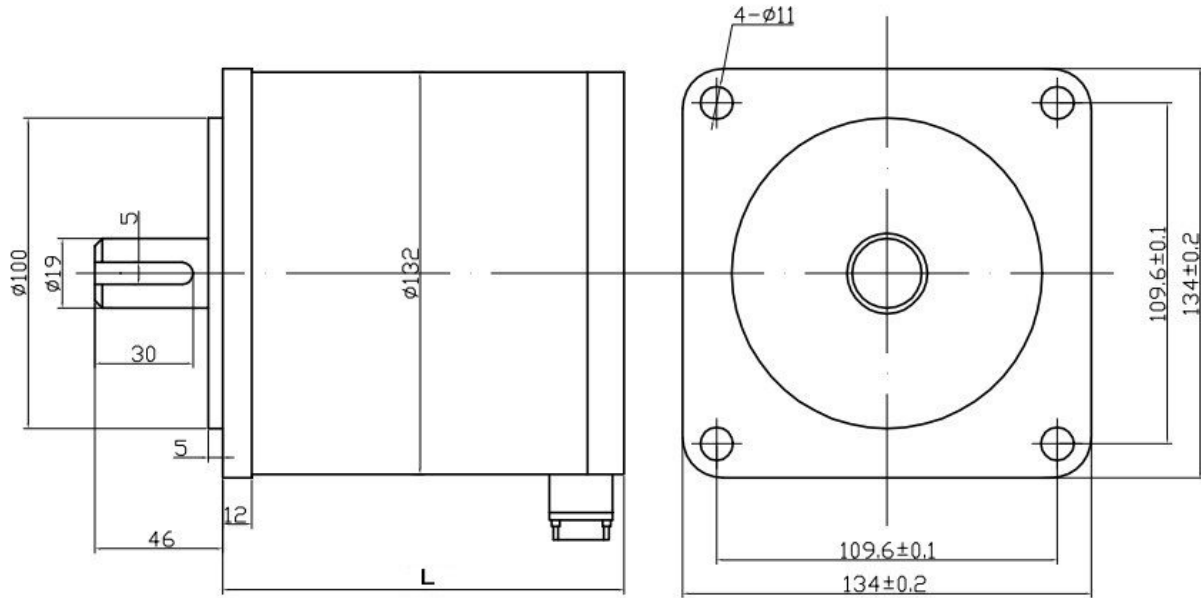
Step Accuracy ----- ±5%  
 Resistance Accuracy ----- ±10%  
 Inductance Accuracy ----- ±20%  
 Temperature Rise ----- 80°C MAX.  
 Ambient Temperature Range ----- -20°C~ +50°C  
 Storage Temperature Range ----- -30°C~ +60°C  
 Insulation Resistance ----- 100M Ω MIN. 500V DC  
 Dielectric Strength ----- 1800VAC for 1S 5mA  
 Radial Play ----- 0.02mm MAX. (450g Load)  
 End Play ----- 0.08mm MAX. (450g Load)  
 Max. radial force ----- 220N  
 Max. axial force ----- 60N

### Electrical Specification:

Model No.	input Voltage	Current /Phase	Resistance /Phase	Inductance /Phase	Noload Frequency	Starting Frequency	Holding Torque	Motor Length	Motor Weight
	V	A	Ω	mH	Hz	Hz	N.m	mm	Kg
SM130HS170-6004	80~325	6	0.75	12.6	25000	2300	20	170	13.3
SM130HS225-6004	80~325	6	0.87	14.5	25000	2300	30	225	18
SM130HS250-7004	80~325	7	0.77	12.4	23000	2200	40	250	19
SM130HS280-7004	80~325	7	0.85	14.4	23000	2200	50	280	22.5

\***Note:** We can also manufacture products according to customer's requirements.

**Dimensions:**  
(Unit=mm)



### Wiring Diagram:

