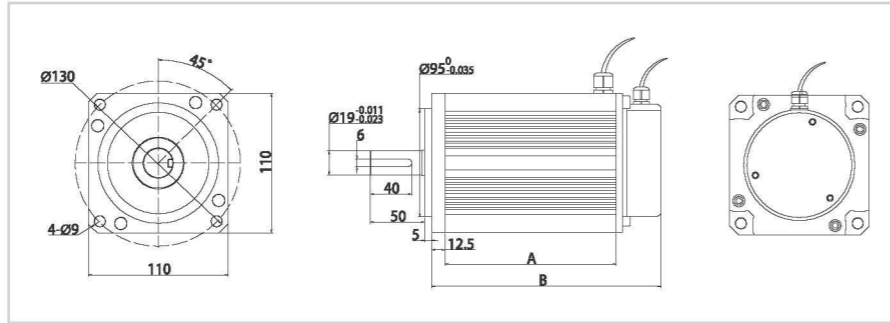


110WD-M(2)

110WD-M(2) series dc brushless motor



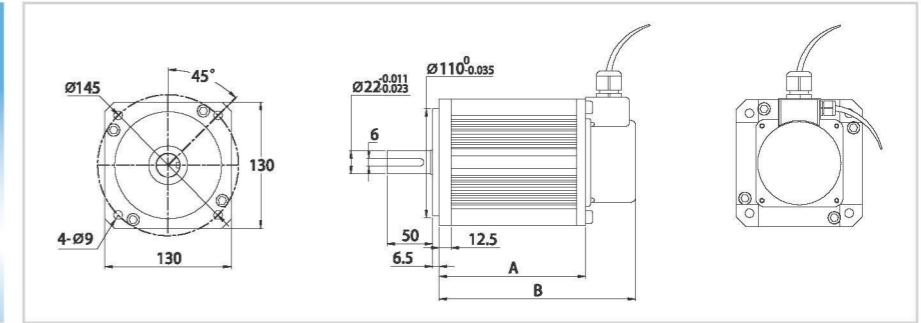
Model	Rated voltage (V)	Rated power (KW)	Rated torque (Nm)	Rated speed (RPM)	Rated electric current (A)	Instantaneous torque (Nm)	Maximum speed (RPM)	Maximum power (KW)	Electric potential (V/Krpm)
110WD-M02030-72V	72	0.6	2	3000	10.9	6	3600	1.9	20.0
110WD-M02060-72V	72	1.3	2	6000	24.9	6	7200	3.8	10.0
110WD-M04010-72V	72	0.4	4	1000	7.3	12	1200	1.3	60.0
110WD-M04020-72V	72	0.8	4	2000	14.5	12	2400	2.5	30.0
110WD-M04030-72V	72	1.3	4	3000	21.8	12	3600	3.8	20.0
110WD-M04060-72V	72	2.5	4	6000	49.9	12	7200	7.5	10.0
110WD-M06010-72V	72	0.6	6	1000	10.9	18	1200	1.9	60.0
110WD-M06020-72V	72	1.3	6	2000	21.8	18	2400	3.8	30.0
110WD-M06030-72V	72	1.9	6	3000	32.7	18	3600	5.7	20.0
110WD-M06060-72V	72	3.8	6	6000	74.8	18	7200	11.3	10.0
110WD-M02010-96V	96	0.2	2	1000	2.7	6	1200	0.6	80.0
110WD-M02020-96V	96	0.4	2	2000	5.5	6	2400	1.3	40.0
110WD-M02030-96V	96	0.6	2	3000	8.2	6	3600	1.9	26.7
110WD-M02060-96V	96	1.3	2	6000	18.7	6	7200	3.8	13.3
110WD-M04010-96V	96	0.4	4	1000	5.5	12	1200	1.3	80.0
110WD-M04020-96V	96	0.8	4	2000	10.9	12	2400	2.5	40.0
110WD-M04030-96V	96	1.3	4	3000	16.4	12	3600	3.8	26.7
110WD-M04060-96V	96	2.5	4	6000	37.4	12	7200	7.5	13.3
110WD-M06010-96V	96	0.6	6	1000	8.2	18	1200	1.9	80.0
110WD-M06020-96V	96	1.3	6	2000	16.4	18	2400	3.8	40.0
110WD-M06030-96V	96	1.9	6	3000	24.5	18	3600	5.7	26.7
110WD-M06060-96V	96	3.8	6	6000	56.1	18	7200	11.3	13.3

Motor interface, Voltage, Speed can be customized.

130WD-M(1)

130WD-M(1) series dc brushless motor

Low voltage, high power, high efficiency



Model	Rated voltage (V)	Rated power (KW)	Rated torque (Nm)	Rated speed (RPM)	Rated electric current (A)	Instantaneous torque (Nm)	Maximum speed (RPM)	Maximum power (KW)	Electric potential (V/Krpm)
130WD-M04010-24V	24	0.4	4	1000	20.5	12	1200	1.3	20.0
130WD-M04020-24V	24	0.8	4	2000	41.1	12	2400	2.5	10.0
130WD-M04030-24V	24	1.3	4	3000	61.6	12	3600	3.8	6.7
130WD-M06010-24V	24	0.6	6	1000	30.8	18	1200	1.9	20.0
130WD-M06020-24V	24	1.3	6	2000	61.6	18	2400	3.8	10.0
130WD-M06030-24V	24	1.9	6	3000	92.4	18	3600	5.7	6.7
130WD-M07710-24V	24	0.8	7.7	1000	39.5	23	1200	2.4	20.0
130WD-M07720-24V	24	1.6	7.7	2000	79.0	23	2400	4.8	10.0
130WD-M07730-24V	24	2.4	7.7	3000	118.6	23	3600	7.3	6.7
130WD-M10010-24V	24	1.0	10	1000	51.3	30	1200	3.1	20.0
130WD-M10020-24V	24	2.1	10	2000	102.7	30	2400	6.3	10.0
130WD-M10030-24V	24	3.1	10	3000	154.0	30	3600	9.4	6.7
130WD-M15010-24V	24	1.6	15	1000	77.0	40	1200	4.7	20.0
130WD-M15020-24V	24	3.1	15	2000	154.0	40	2400	9.4	10.0
130WD-M15030-24V	24	4.7	15	3000	231.0	40	3600	14.1	6.7
130WD-M04010-48V	48	0.4	4	1000	10.3	12	1200	1.3	40.0
130WD-M04020-48V	48	0.8	4	2000	20.5	12	2400	2.5	20.0
130WD-M04030-48V	48	1.3	4	3000	30.8	12	3600	3.8	13.3

Motor interface, Voltage, Speed can be customized.