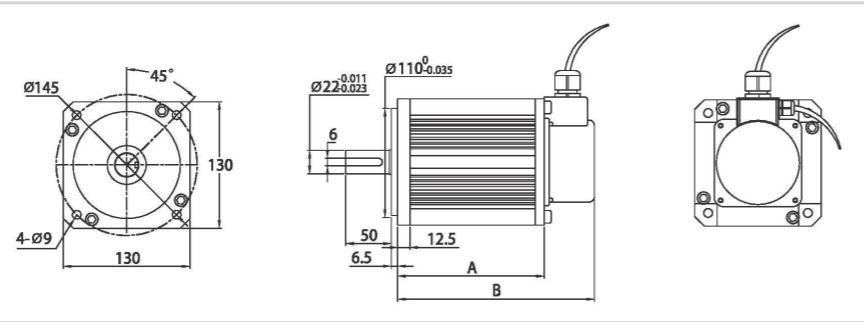


### 130WD-M(4)

130WD-M(4) series dc brushless motor



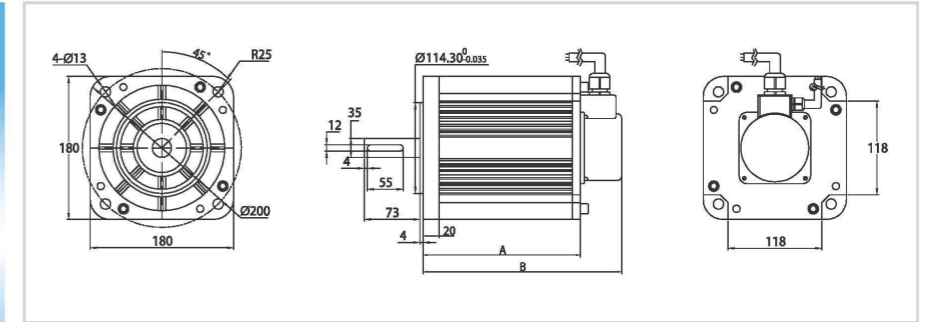
Model	Rated voltage (V)	Rated power (KW)	Rated torque (Nm)	Rated speed (RPM)	Rated electric current (A)	Instantaneous torque (Nm)	Maximum speed (RPM)	Maximum power (KW)	Electric potential (V/Krpm)
130WD-M04020-96V	96	0.8	4	2000	10.3	12	2400	2.5	40.0
130WD-M04030-96V	96	1.3	4	3000	15.4	12	3600	3.8	26.7
130WD-M04060-96V	96	2.5	4	6000	37.4	12	7200	7.5	13.3
130WD-M06010-96V	96	0.6	6	1000	7.7	18	1200	1.9	80.0
130WD-M06020-96V	96	1.3	6	2000	15.4	18	2400	3.8	40.0
130WD-M06030-96V	96	1.9	6	3000	23.1	18	3600	5.7	26.7
130WD-M06060-96V	96	3.8	6	6000	56.1	18	7200	11.3	13.3
130WD-M07710-96V	96	0.8	7.7	1000	9.9	23	1200	2.4	80.0
130WD-M07720-96V	96	1.6	7.7	2000	19.8	23	2400	4.8	40.0
130WD-M07730-96V	96	2.4	7.7	3000	29.6	23	3600	7.3	26.7
130WD-M07760-96V	96	4.8	7.7	6000	72.0	23	7200	14.5	13.3
130WD-M10010-96V	96	1.0	10	1000	12.8	30	1200	3.1	80.0
130WD-M10020-96V	96	2.1	10	2000	25.7	30	2400	6.3	40.0
130WD-M10030-96V	96	3.1	10	3000	38.5	30	3600	9.4	26.7
130WD-M10060-96V	96	6.3	10	6000	93.5	30	7200	18.8	13.3
130WD-M15010-96V	96	1.6	15	1000	19.2	40	1200	4.7	80.0
130WD-M15020-96V	96	3.1	15	2000	38.5	40	2400	9.4	40.0
130WD-M15030-96V	96	4.7	15	3000	57.7	40	3600	14.1	26.7

Motor interface, Voltage, Speed can be customized.

### 180WD-M(1)

180WD-M(1) series dc brushless motor

Low voltage, high power, high efficiency



Model	Rated voltage (V)	Rated power (KW)	Rated torque (Nm)	Rated speed (RPM)	Rated electric current (A)	Instantaneous torque (Nm)	Maximum speed (RPM)	Maximum power (KW)	Electric potential (V/Krpm)
180WD-M12010-24V	24	1.3	12	1000	62	30	1200	3.1	20.0
180WD-M12020-24V	24	2.5	12	2000	123	30	2400	6.3	10.0
180WD-M12030-24V	24	3.8	12	3000	185	30	3600	9.4	6.7
180WD-M16010-24V	24	1.7	16	1000	82	42	1200	4.2	20.0
180WD-M16020-24V	24	3.4	16	2000	164	42	2400	8.4	10.0
180WD-M16030-24V	24	5.0	16	3000	246	42	3600	12.6	6.7
180WD-M25010-24V	24	2.6	25	1000	128	55	1200	6.5	20.0
180WD-M25020-24V	24	5.2	25	2000	257	55	2400	13.1	10.0
180WD-M25030-24V	24	7.9	25	3000	385	55	3600	19.6	6.7
180WD-M36010-24V	24	3.8	36	1000	185	70	1200	9.4	20.0
180WD-M36020-24V	24	7.5	36	2000	370	70	2400	18.8	10.0
180WD-M50010-24V	24	5.2	50	1000	257	110	1200	13.1	20.0
180WD-M50020-24V	24	10.5	50	2000	513	110	2400	26.2	10.0
180WD-M12010-48V	48	1.3	12	1000	31	30	1200	3.1	40.0
180WD-M12020-48V	48	2.5	12	2000	62	30	2400	6.3	20.0
180WD-M12030-48V	48	3.8	12	3000	92	30	3600	9.4	13.3
180WD-M16010-48V	48	1.7	16	1000	41	42	1200	4.2	40.0
180WD-M16020-48V	48	3.4	16	2000	82	42	2400	8.4	20.0
180WD-M16030-48V	48	5.0	16	3000	123	42	3600	12.6	13.3
180WD-M25010-48V	48	2.6	25	1000	64	55	1200	6.5	40.0
180WD-M25020-48V	48	5.2	25	2000	128	55	2400	13.1	20.0
180WD-M25030-48V	48	7.9	25	3000	192	55	3600	19.6	13.3
180WD-M36010-48V	48	3.8	36	1000	92	70	1200	9.4	40.0
180WD-M36020-48V	48	7.5	36	2000	185	70	2400	18.8	20.0
180WD-M50010-48V	48	5.2	50	1000	128	110	1200	13.1	40.0
180WD-M50020-48V	48	10.5	50	2000	257	110	2400	26.2	20.0
180WD-M12010-72V	72	1.3	12	1000	21	30	1200	3.1	60.0
180WD-M12020-72V	72	2.5	12	2000	41	30	2400	6.3	30.0

Motor interface, Voltage, Speed can be customized.