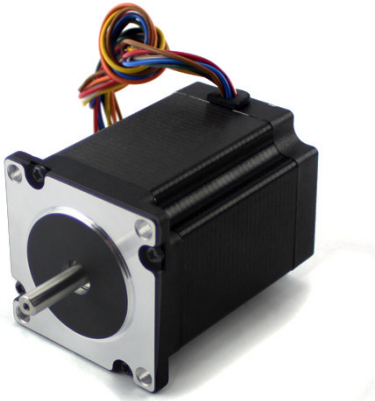


## Model: NEMA23 Stepper motor-SM57STH (1.8 degree)



### General Specification:

Step Accuracy -----  $\pm 5\%$   
 Resistance Accuracy -----  $\pm 10\%$   
 Inductance Accuracy -----  $\pm 20\%$   
 Temperature Rise -----  $80^{\circ}\text{C MAX.}$   
 Ambient Temperature Range -----  $-20^{\circ}\text{C} \sim +50^{\circ}\text{C}$   
 Storage Temperature Range -----  $-30^{\circ}\text{C} \sim +60^{\circ}\text{C}$   
 Insulation Resistance -----  $100\text{M } \Omega \text{ MIN. } 500\text{V DC}$   
 Dielectric Strength -----  $500\text{V AC } 1\text{min}$   
 Radial Play -----  $0.02\text{mm MAX. (450g Load)}$   
 End Play -----  $0.08\text{mm MAX. (450g Load)}$   
 Max. radial force -----  $75\text{N}$   
 Max. axial force -----  $15\text{N}$

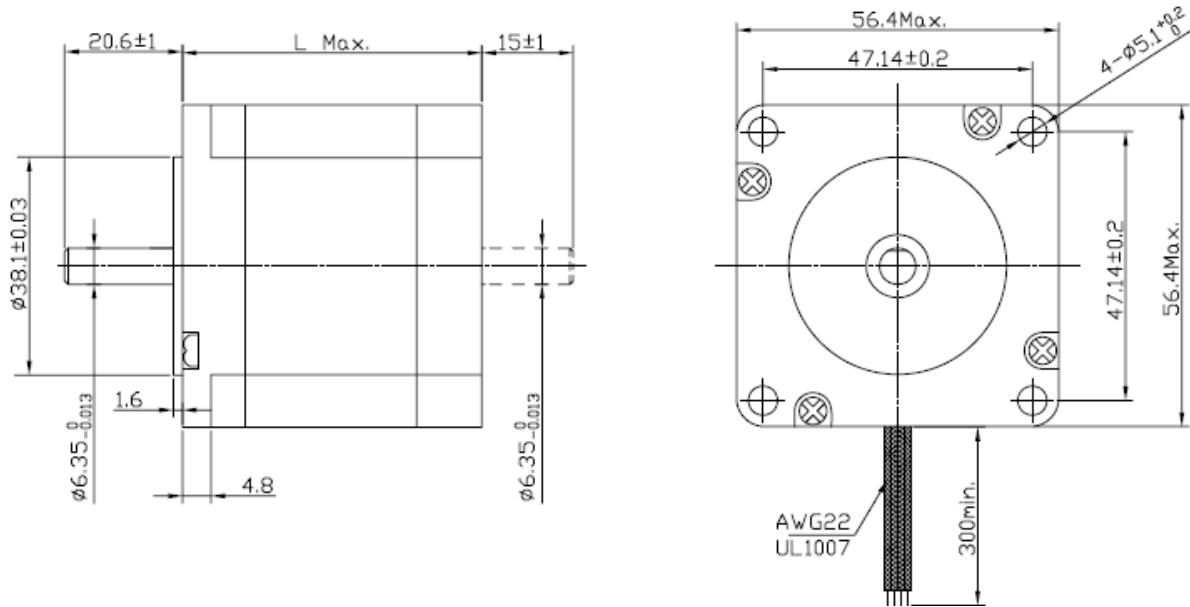
### Electrical Specification:

Model No.	Step Angle	Motor Length	Current /Phase	Resistance /Phase	Inductance /Phase	Holding Torque	Lead wires	Detent Torque	Rotor Inertia	Motor Weight
	( $^{\circ}$ )	(L)mm	A	$\Omega$	mH	N.m	No.	g.cm	$\text{g.cm}^2$	Kg
SM57STH41-1006	1.8	41	1	5.2	5.5	0.39	6	250	150	0.47
SM57STH41-2006	1.8	41	2	1.4	1.4	0.39	6	250	150	0.47
SM57STH41-3006	1.8	41	3	0.63	0.6	0.39	6	250	150	0.47
SM57STH41-2804	1.8	41	2.8	0.7	1.4	0.55	4	250	150	0.47
SM57STH51-1006	1.8	51	1	6.6	8.2	0.72	6	300	230	0.59
SM57STH51-2006	1.8	51	2	1.65	2.2	0.72	6	300	230	0.59
SM57STH51-3006	1.8	51	3	0.74	0.9	0.72	6	300	230	0.59
SM57STH51-2804	1.8	51	2.8	0.83	2.2	1.01	4	350	280	0.68
SM57STH56-1006	1.8	56	1	7.4	10	0.9	6	350	280	0.68
SM57STH56-2006	1.8	56	2	1.8	2.5	0.9	6	350	280	0.68
SM57STH56-3006	1.8	56	3	0.75	1.1	0.9	6	350	280	0.68
SM57STH56-2804	1.8	56	2.8	0.9	2.5	1.26	4	350	280	0.68
SM57STH76-1006	1.8	76	1	8.6	14	1.35	6	600	440	1.1
SM57STH76-2006	1.8	76	2	2.25	3.6	1.35	6	600	440	1.1

SM57STH76-3006	1.8	76	3	1	1.6	1.35	6	600	440	1.1
SM57STH76-2804	1.8	76	2.8	1.13	3.6	1.89	4	600	440	1.1
SM57STH82-3004	1.8	82	3.0	1.2	4	2.2	4	1000	600	1.2
SM57STH82-5004	1.8	82	5	0.6	1.5	2.2	4	1000	600	1.2
SM57STH111-3004	1.8	111	3.0	1.6	6.8	3.0	4	1200	800	1.4
SM57STH111-4204	1.8	111	4.2	0.9	3.8	3.0	4	1200	800	1.4

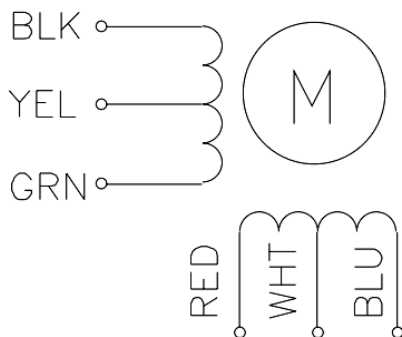
**\*Note:** We can also manufacture products according to customer's requirements.

**Dimensions:  
(Unit=mm)**



**Wiring Diagram:**

6 LEADS



4 LEADS

