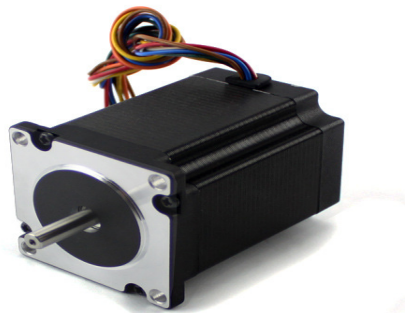


## Model: NEMA23 Stepper motor-SM57H3P(1.2degree)-3phase



### General Specification:

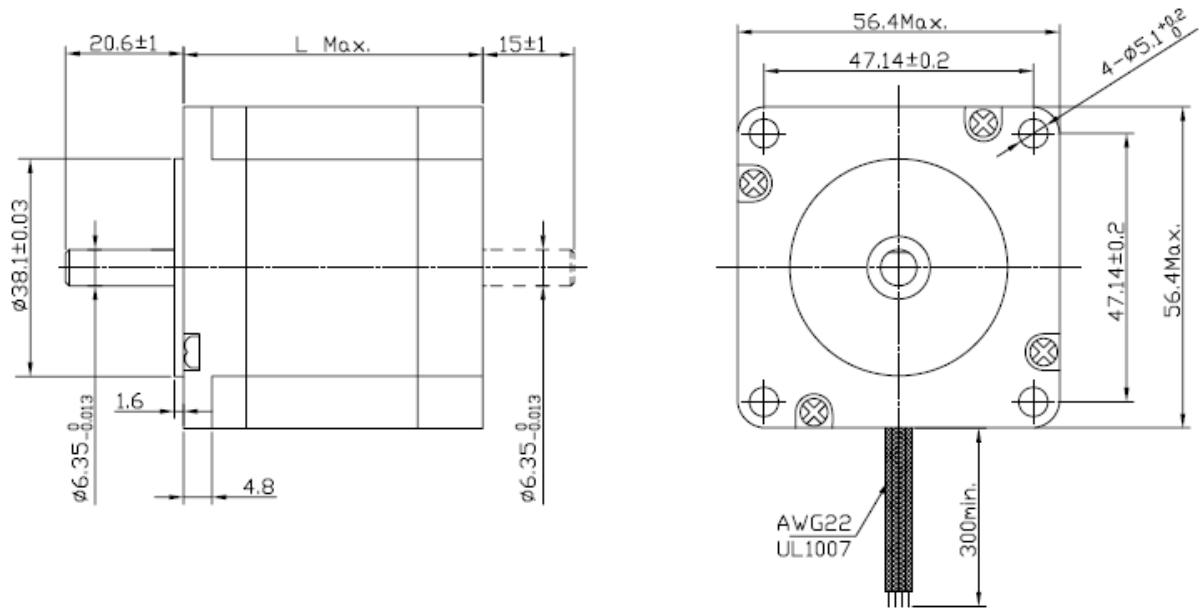
Step Accuracy -----  $\pm 5\%$   
Resistance Accuracy -----  $\pm 10\%$   
Inductance Accuracy -----  $\pm 20\%$   
Temperature Rise -----  $80^{\circ}\text{C MAX.}$   
Ambient Temperature Range -----  $-20^{\circ}\text{C} \sim +50^{\circ}\text{C}$   
Storage Temperature Range -----  $-30^{\circ}\text{C} \sim +60^{\circ}\text{C}$   
Insulation Resistance -----  $100\text{M } \Omega \text{ MIN. } 500\text{V DC}$   
Dielectric Strength -----  $500\text{V AC } 1\text{min}$   
Radial Play -----  $0.02\text{mm MAX. (450g Load)}$   
End Play -----  $0.08\text{mm MAX. (450g Load)}$   
Max. radial force -----  $75\text{N}$   
Max. axial force -----  $15\text{N}$

### Electrical Specification:

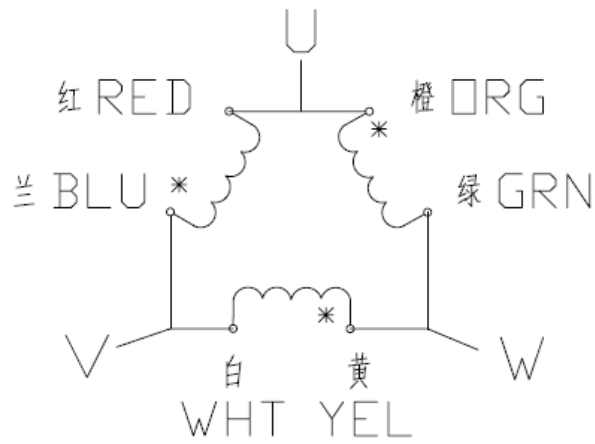
Model No.	Step Angle	Motor Length	Current /Phase	Resistance /Phase	Inductance /Phase	Holding Torque	Detent Torque	Rotor Inertia	Motor Weight
	( $^{\circ}$ )	(L)mm	A	$\Omega$	mH	kg.cm	g.cm	$\text{g.cm}^2$	Kg
SM57H3P42-001	1.2	42	5.2	1.3	1.4	4.5	210	110	0.45
SM57H3P56-001	1.2	56	5.6	0.7	1.7	9.0	400	300	0.75
SM57H3P79-001	1.2	78	5.8	1.05	2.4	15	680	480	1.01

\***Note:** We can also manufacture products according to customer's requirements.

### Dimensions: (Unit=mm)



**Wiring Diagram:**



v