

Corp. Office

Plot No. PAP-A-170, Mahape MIDC,
Navi Mumbai - 400703

Tel. No.: 022 27781125

Mobile No.: 09890205159/09699345666

Email: sparkeaa@gmail.com / amit@sparkmotors.in

Website: : www.sparkmotors.in


Factory Add.: No. 12, Meishuxia Yuanshang Village, Niutang

Town, Wujin Dist., Jiangsu, , Changzhou City, China – 250000,

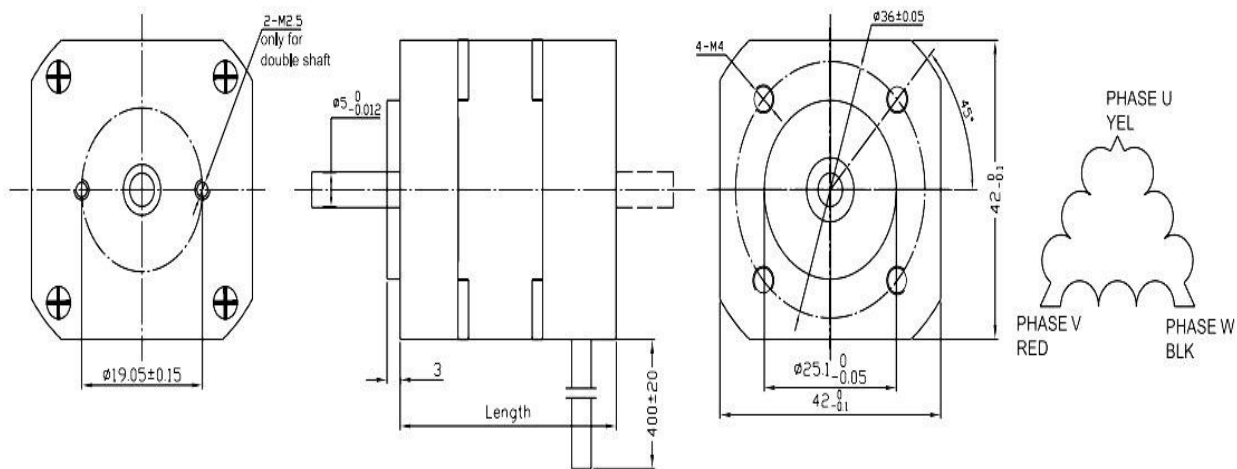
Tel.No.: 18569420853

42mm DC BRUSHLESS MOTOR

GENERAL SPECIFICATIONS

Hall effect angle	120 degree electrical angle	
Shaft run out	0.025mm	
Radial play	0.02mm@450g	
End play	0.08mm@450g	
Max. radial force	28N @ 20mm from the flange	
Max. axial force	10N	
Insulation class	Class B	
Dielectric strength	500VDC for one minute	
Insulation resistance	100M Min., 500VDC	

DIMENSIONS: (mm)



Corp. Office
 Plot No. PAP-A-170, Mahape MIDC,
 Navi Mumbai - 400703
 Tel. No.: 022 27781125
 Mobile No.: 09890205159/09699345666
 Email: sparkeaa@gmail.com / amit@sparkmotors.in
 Website: : www.sparkmotors.in

Factory Add.: No. 12, Meishuxia Yuanshang Village, Niutang
 Town, Wujin Dist., Jiangsu, , Changzhou City, China – 250000,
 Tel.No.: 18569420853

ELECTRICAL SPECIFICATIONS

Model	SM42BLS41	SM42BLS61	SM42BLS81	SMBLS100
Number of poles	8			
Number of phase	3			
Rated voltage (VDC)	24			
Rated speed (RPM)	4000			
Continuous stall torque (N.m)	0.075	0.15	0.22	0.3
Rated torque (N.m)	0.0625	0.125	0.185	0.25
Rated power (W)	26	52.5	77.5	105
Peak torque (N.m)	0.19	0.38	0.56	0.75
Peak current (A)	5.4	10.6	15.5	20
Line to line resistance (Ohms)	1.8	0.8	0.55	0.28
Line to line inductance (mH)	2.6	1.2	0.8	0.54
Torque constant (Nm/A)	0.035	0.0355	0.036	0.0376
Back E.M.F (Vrms/KRPM)	3.66	3.72	3.76	3.94
Rotor inertia (g.cm ²)	24	48	72	96
Body length (mm)	41	61	81	100
Weight (Kg)	0.30	0.45	0.65	0.8