

Corp. Office
 Plot No. PAP-A-170, Mahape MIDC,
 Navi Mumbai - 400703
 Tel. No.: 022 27781125
 Mobile No.: 09890205159/09699345666
 Email: sparkeaa@gmail.com / amit@sparkmotors.in
 Website: : www.sparkmotors.in

Factory Add.: No. 12, Meishuxia Yuanshang Village, Niutang
 Town, Wujin Dist., Jiangsu, , Changzhou City, China – 250000,
 Tel.No.: 18569420853

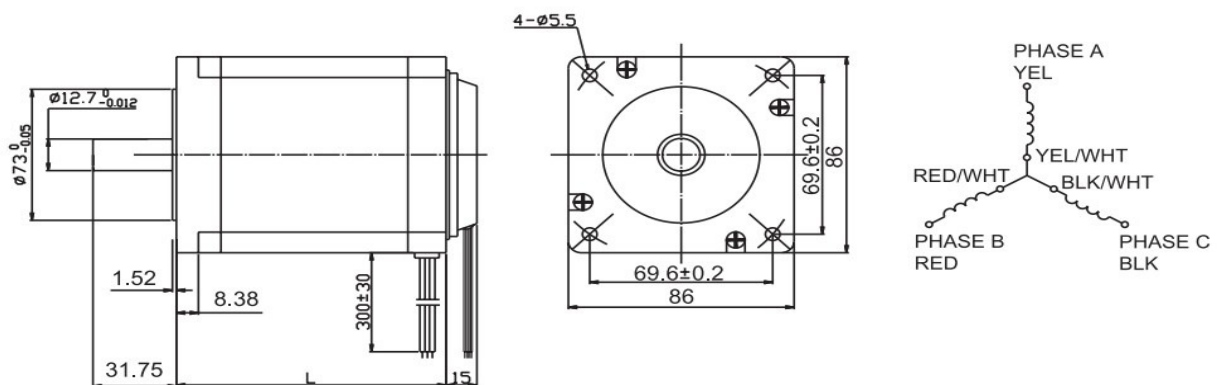
86mm DC BRUSHLESS MOTOR

GENERAL SPECIFICATIONS

Item	Specification
Winding type	Delta
Hall effect angle	120degree electrical angle
Shaft run out	0.025mm
Radial play	0.02mm@450g
End play	0.08mm@450g
Max.radial force	220N @ 20mm from the flange
Max.axial force	60N
Insulation class	Class B
Dielectric Strength	500VDC for one minute
Insulation resistance	100MΩMin.500VDC



Dimensions Diagram (mm)



Corp. Office

Plot No. PAP-A-170, Mahape MIDC,

Navi Mumbai - 400703

Tel. No.: 022 27781125

Mobile No.: 09890205159/09699345666

Email: sparkeaa@gmail.com / amit@sparkmotors.in

Website: : www.sparkmotors.in

Factory Add.: No. 12, Meishuxia Yuanshang Village, Niutang

Town, Wujin Dist., Jiangsu, , Changzhou City, China – 250000,

Tel.No.: 18569420853

Electric Connection

Model	SM86BLS58	SM86BLS71	SM86BLS98	SM86BLS125
Number of phase	3			
Rated voltage VDC	48			
Rated speed RPM	3000			
Rated torque N.m	0.35	0.7	1.4	2.1
Rated power W	110	220	440	660
Peak torque N.m	1.05	2.1	4.2	6.3
Peak current A	11	19	33	55
Resistance ohms	1.05	0.36	0.2	0.16
Inductance mH	2.2	1.05	0.48	0.3
Torque constant Nm/A	0.1	0.11	0.13	0.11
Back E.M.F V/KRPM	10.5	11.5	13.5	11.5
Rotor inertia g.cm ²	400	800	1600	2400
Body length(L) mm	58	71	98	125
Weight Kg	1.5	1.85	2.6	4